

STEADICAM®

POWERED BY
YUNEEK

VOLT™



GoPro compatible



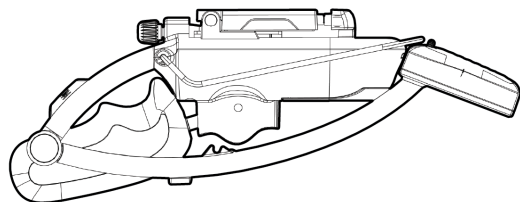
LIT-817000 rev. A



Welcome

In the box

Congratulations on your new Steadicam® Volt™ stabilizer, an evolution of 40 years of Hollywood film-making in the palm of your hand! By simulating the inertia found in professional Steadicam® rigs, this stabilizer gives you real tactile feedback, allowing moves that cannot be achieved by handheld operation or with other stabilizers.



Steadicam® Volt™ stabilizer

Find this user guide in additional languages, warranty information, and more details about your Steadicam® Volt™ at:
<https://tiffen.com/steadicamvolt/>

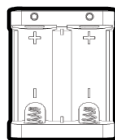
Pour ce guide d'utilisateur en d'autres langues, des informations de garantie et plus de détails au sujet de votre Steadicam® Volt™ allez à:
<https://tiffen.com/steadicamvolt/>

Retrouvez ce manuel d'utilisation en d'autres langues, des informations sur la garantie et d'autres détails concernant votre Steadicam® Volt™ sur:
<https://tiffen.com/steadicamvolt/>

Encuentre esta guía del usuario en otros idiomas, información sobre la garantía y más detalles sobre su Steadicam® Volt™ en:
<https://tiffen.com/steadicamvolt/>

Diese Betriebsanleitung in mehreren Sprachen, Garantieinformationen und weitere Einzelheiten über Steadicam® Volt™ finden Sie auf:
<https://tiffen.com/steadicamvolt/>

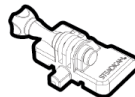
Questa guida in altre lingue, informazioni sulla garanzia e ulteriori dettagli su Steadicam® Volt™ sono presenti su:
<https://tiffen.com/steadicamvolt/>



Battery charger



Rechargeable batteries (2)
(Shipped installed)



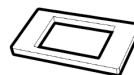
GoPro mount



Threaded start weight



Magnetic weights (7)



Button clearance pad

Also included:

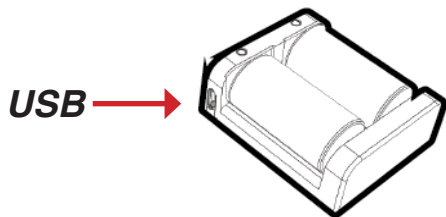
- USB charge cable
- Carrying bag
- Quick start guide

Visit store.tiffen.com for accessories.

Get started

Remove the **batteries** from the stabilizer and charge batteries completely before using. To charge, insert the batteries into **battery charger** and connect to USB power. Do not leave batteries charging unattended.

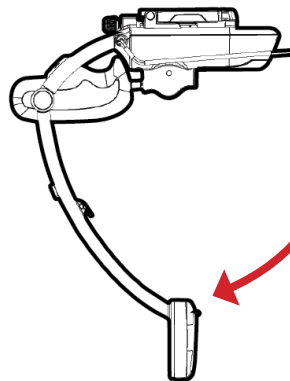
- **Red LED:** indicates charging in progress.
- **Blue LED:** indicates charging complete.



Download the Tiffen **Imagemaker™ App** from your phone's app store to expand your camera's video recording functionality.

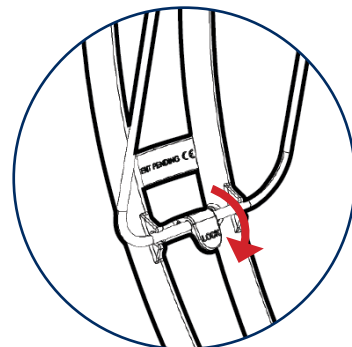


Setup



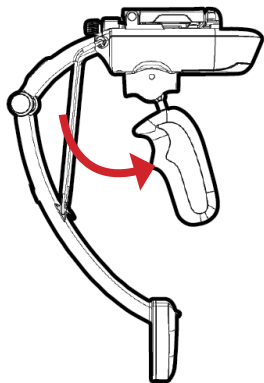
Unfold the
Arc.

Unfold
**support
brace** and
clip to the
Arc.



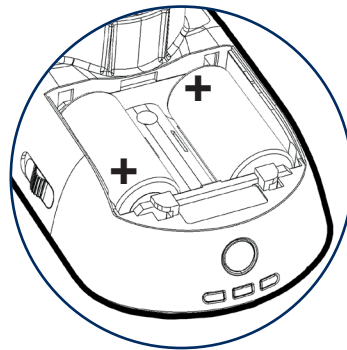
Setup

Unfold
gimbal
handle.

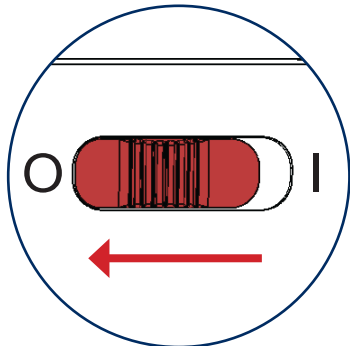


Setup

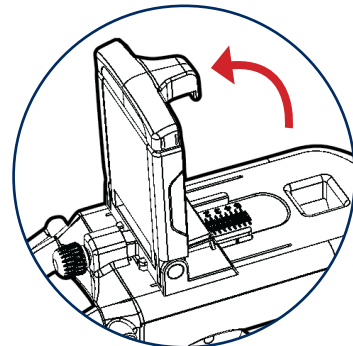
Remove
battery cover
and install
charged
batteries.



Ensure **power switch** is turned **OFF**.

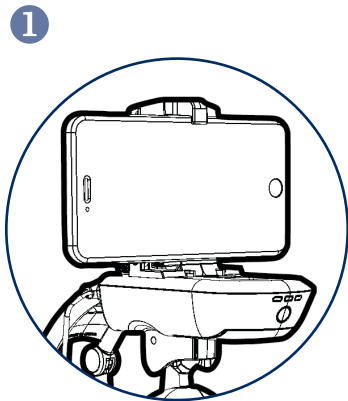


Open the
phone mount.



Balancing

Proper balancing is essential for Steadicam® Volt™ to stabilize your phone. Depending upon the weight of your device, the stabilizer may need from 0 to 7 **balance weights** on the base. Use as few weights as possible.



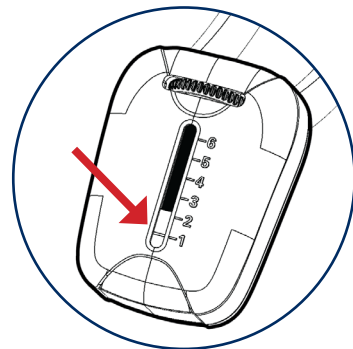
Center your phone in the spring-loaded **phone mount**, and make sure it's held securely.

Note: the stabilizer must have batteries installed, but remain **powered OFF** during the balance procedure. Small phones may require the use of a phone case or button clearance pad to ensure a secure fit.

Balancing

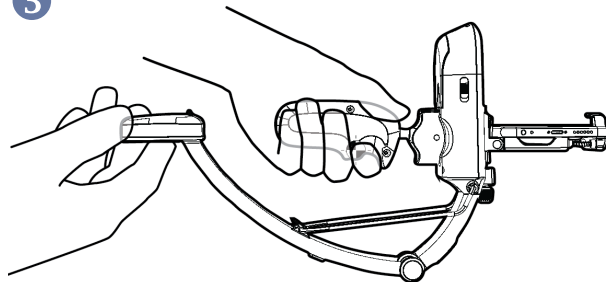
2

Dial the internal **base weight** to position #1.



Next, check **top-to-bottom** balance. Hold stabilizer horizontal, supporting most of the weight by the **gimbal handle**.

3



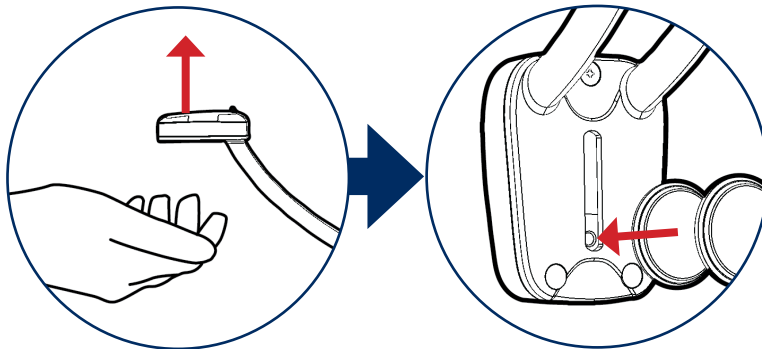
Visit tiffen.com for how-to videos and further instructions on balancing Steadicam® Volt™.

Balancing

Balancing

4

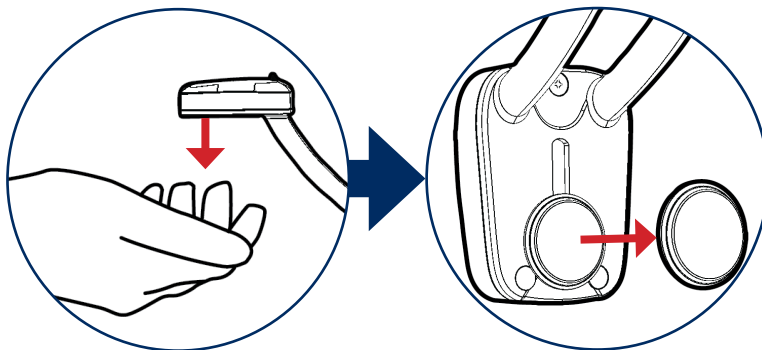
Lighten your grip on the base, and if the base **rises up** out of hand, the base is **too light** for your device.



If the base is **too light**, thread in the **starter weight** and re-test. Still too light? Add **balance weights** until the base does not rise up.

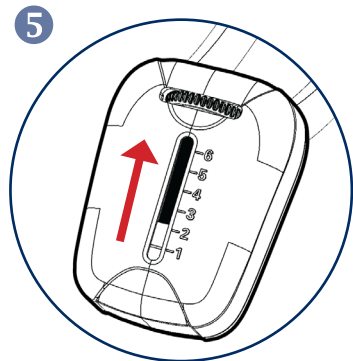
OR

If you lighten your grip on the base and the base **drops down**, the base is **too heavy** for your device.



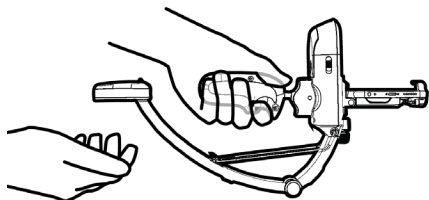
If the base is **too heavy**, remove one **balance weight** at a time and re-test. Remove weights until the base rises out of hand, then add **ONE weight** back on.

Balancing



To fine tune top-to-bottom balance, dial the **weight adjuster** until the stabilizer remains horizontal as seen below.

The stabilizer should now hold horizontal. If it rolls over, we'll adjust that next.

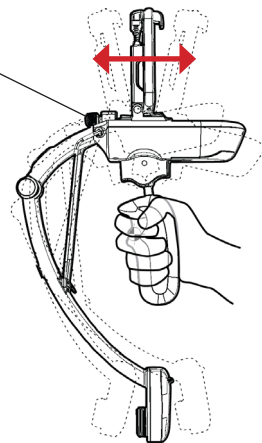


Balancing

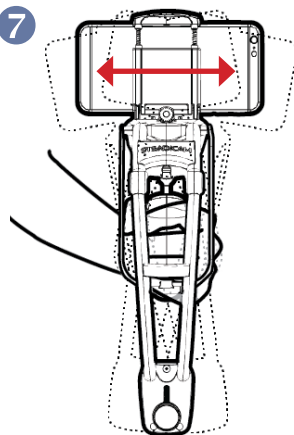
6



Hold stabilizer upright by the **gimbal handle** and level the stabilizer **fore-aft** by turning the adjuster knob as needed.



7

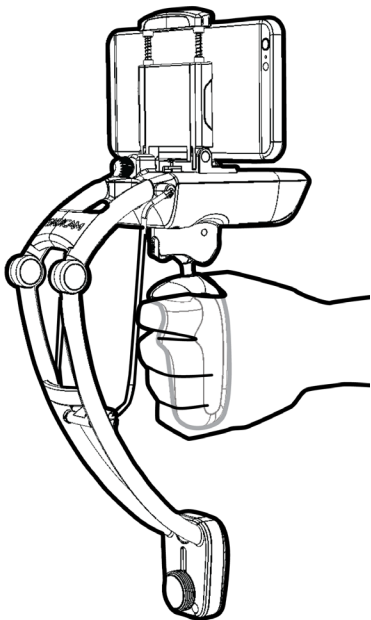


Then level it **side-to-side** by sliding your phone in the mount. Make sure the phone is still secure!

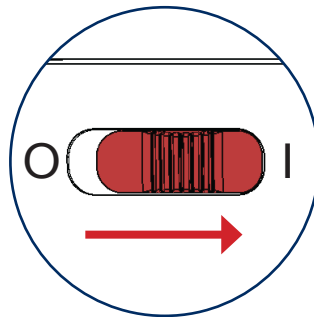
Remember to keep the **power OFF** while balancing!

8

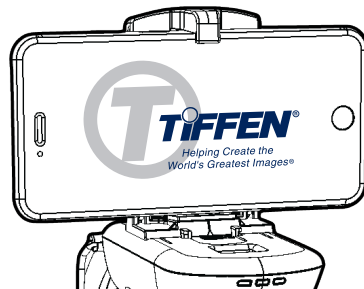
For **optimal performance**, repeat balance steps 5, 6 and 7 until Steadicam® Volt™ balances in all axes.



When Steadicam® Volt™ is balanced and you're ready to roll camera, slide the **power switch** to ON. **Note:** the gimbal handle will spin if not held.



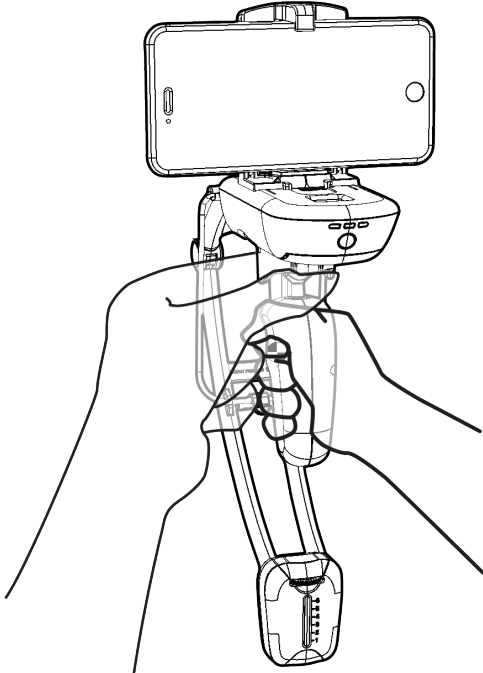
Use your device's camera mode or launch the Tiffen® **Imagemaker™ App** for enhanced camera features.



Visit tiffen.com for how-to videos and further instructions on balancing Steadicam® Volt™.

The Grip

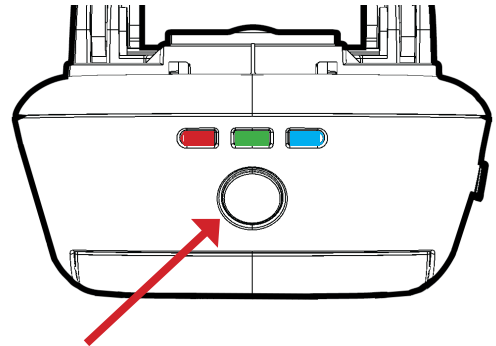
Use **two** hands and start filming! The **gimbal grip** supports the stabilizer and a **VERY LIGHT** touch on the **gimbal guide** controls pan and tilt of the camera. Practice makes perfect.



Visit tiffen.com for additional operating tips.

LED's and Modes

- **Blue LED:** Indicates Volt is powered on.
Blue LED flashes when batteries are low.
- **Green LED:** Indicates Movie Mode (see below.)
- **Red LED:** Flashing indicates an overload situation due to improper balance. Re-balance Steadicam® Volt™.
- **Flashing LED's** at initial power-up is normal. Flashing LED's after power up indicates an error condition.



Operational modes:

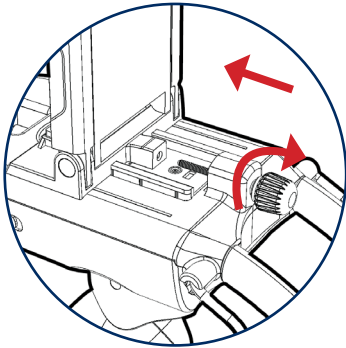
Two presses of the mode button engages **Movie Mode**, one press returns to default **Sport Mode**.

- **Sport Mode:** motors have maximum influence.
- **Movie Mode:** gives experienced operators additional control.

GoPro mount

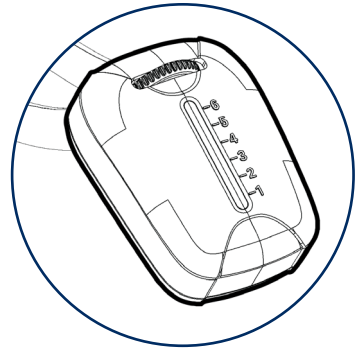
GoPro mount

Go to <https://tiffen.com/steadicamvolt/> for camera compatibility and setting configurations.

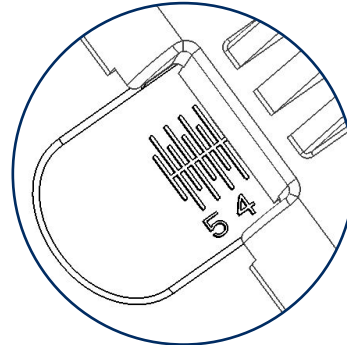
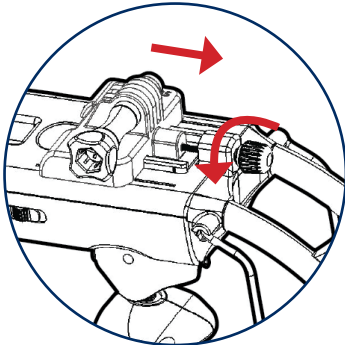


Remove the **phone mount** by turning the adjustment knob **clockwise** and sliding the mount off.

Install your **GoPro** camera, adjust and add **weights** as shown in step **4**



Install the **GoPro** mount by sliding it on and turning the adjustment knob **counter-clockwise**.



Adjust the **fore-aft position** as shown in step **6**

Note: side-to-side balance not required for **GoPro** cameras.

Specifications

Steadicam® Volt™ 3-axis motorized camera stabilizer:

Mechanical specifications:

Approx. dimensions folded:	255mm x 100mm x 70mm
Approx. dimensions unfolded:	280mm x 190mm x 70mm
Smartphone weight capacity:	250g max
Smartphone size capacity:	up to 85mm wide
Normal working temperature:	0°C ~ 35°C
Operating humidity:	Under 80% non-condensing

GoPro Camera compatibility: See <https://tiffen.com/steadicamvolt/>

Battery:	2x type 18350 900mAh, Li-Ion 3.7V
Manufacturer:	Shida Battery Technology Co.
Battery life:	Approx. 8hrs max, 5hrs typical
Battery charge temperature:	0°C ~ 40°C

Charger:	model YUNSTDL05
Input:	USB 5VDC minimum 500mA
Output:	4.2VDC
Charge current:	300mA per channel
Battery charge time:	Approx. 5hrs

Specifications subject to change without notice.



This symbol indicates that the equipment must NOT be thrown into general waste but should be collected separately and properly recycled under local regulations.



Visit tiffen.com for additional operating tips and accessories.

Warnings

Warning: Small parts may pose choking hazard to children. Supervise young operators.

Warning: Ingested magnets can cause serious intestinal injuries.

Important: By using the Steadicam Volt, user assumes full responsibility for any damage to any device attached to The Steadicam Volt that may arise other than from a defect in the Steadicam Volt.

FCC Statement: This equipment has been tested and found to comply with the limits for Part 15 of the FCC rules. These limits are designed to provide reasonable protection against harmful interference in a residential installation. This equipment generates, uses and can radiate radio frequency energy and, if not installed and used in accordance with the instructions, may cause harmful interference to radio communications.

However, there is no guarantee that interference will not occur in a particular installation. If this equipment does cause harmful interference off and on, the user is encouraged to try to correct the interference by one of the following measures:

- Reorient or relocate the receiving antenna.
- Increase the separation between the equipment and receiver.
- Connect the equipment to an outlet on a circuit different from that to which the receiver is connected.
- Consult the dealer or an experienced radio/TV technician for help.

This device complies with part 15 of the FCC rules. Operation is subject to the following two conditions: (1) This device may not cause harmful interference, and (2) This device must accept any interference received, including interference that may cause undesired operation.

IC Statement for Canada: This device complies with Industry Canada license-exempt RSS standard(s). Operation is subject to the following two conditions: (1) This device may not cause interference, and (2) this device must accept any interference, including interference that may cause undesired operation of the device.

Le présent appareil est conforme aux CNR d'Industrie Canada applicables aux appareils radio exempts de licence. L'exploitation est autorisée aux deux conditions suivantes: (1) l'appareil ne doit pas produire de brouillage, et (2) l'utilisateur de l'appareil doit accepter tout brouillage radioélectrique subi, même si le brouillage est susceptible d'en compromettre le fonctionnement.

This equipment complies with the IC RSS-102 radiation exposure limit set forth for an uncontrolled environment. Cet équipement respecte les limites d'exposition aux rayonnements IC définies pour un environnement non contrôlé.

Changes or modifications not expressly approved by The Tiffen Company LLC could void the user's authority to operate the equipment.

Radio Equipment Directive (RED) 2014/53/EU:

- Bluetooth frequency: 2.404 – 2.480 Mhz
- Output power: 2.5mW maximum (transmitting)

Simplified EU declaration of conformity:

Hereby, The Tiffen Company LLC declares that the radio equipment type YUNSTDI is in compliance with Directive 2014/53/EU. The full text of the EU declaration of conformity is available at the following internet address: <https://tiffen.com/steadicamvolt/compliance/>

Warranty

Tiffen warrants Steadicam® Volt™ to be free from defects in material and workmanship under normal conditions of use and service for one year based on the date of original purchase.

Tiffen's obligation under its warranty policy is limited at its option, to either repair or replace the defective product. If the product has been superseded, warranty replacement can be made with a current model of the same quality performing the equivalent function.

This warranty is expressly made in lieu of all other warranties, expressed or implied, including specifically without limiting the generality thereof, any implied warranty or merchantability, and of all other obligations or liabilities and Tiffen shall under no circumstances be liable for any consequential damages, expenses or losses or damages resulting from a defect of its product. Tiffen should be notified of a defect in the product by contacting Tiffen Customer Service at 800-645-2522 (631-273-2500) or techsupport@tiffen.com.

The product should be sent to the Tiffen Service Center indicated, prepaid and adequately insured with the return authorization number clearly visible on the front of the package. Include a letter describing the problem.

All returns must include copy of dated sales receipt as proof of purchase from authorized Tiffen dealer. This warranty gives you specific legal rights, and you may also have other rights that vary from state to state.

For more information, visit www.tiffen.com/warranty

© 2017 Tiffen Company, LLC. All rights reserved. Steadicam® and Steadicam® Volt™ are trademarks of Tiffen Company, LLC

LIT-817000 06/2017 by EB

This product is not affiliated with, endorsed by or in any way associated with GoPro Inc. or its products and services. GoPro, HERO and their respective logos are trademarks or registered trademarks of GoPro Inc.

Apple and the Apple logo are trademarks of Apple Inc., registered in the U.S. and other countries. App Store is a service mark of Apple Inc., registered in the U.S. and other countries.

Google Play and the Google Play logo are trademarks of Google Inc.

North America:

The Tiffen Company

90 Oser Avenue

Hauppauge, NY 11788

Phone: (631) 273-2500 or 1 (800) 645-2522

Europe:

Tiffen International Ltd.

Pinewood Studios

Pinewood Road

Iver Heath SL0 0NH

United Kingdom

Phone: (44) 870-1001220

Email:

techsupport@tiffen.com

Web:

tiffen.com/steadicam

